

# PSC1-25/230 IR

77738126

Surge Protection Device, Type 1+2, 1Ph,25kA(10/350), 230V,

Scan this QR code and see  
the full range



[Link to the product page](#)

Technical Data	Value	Units
----------------	-------	-------

## Commercial data

Code	77738126	
Part Number	PSC1-25/230 IR	
Status	Available	
EAN	8435297828013	
Tariff code (HS)	8536.30.90	

## Dimensions

Product height	90	[mm]
Product width	36	[mm]
Product length	76	[mm]
Product weight	341	[gr]

## General data

Internal configuration	1P	
No. poles	1	
No. DIN rail modules	2	
Installation	(L-N)	
Format	Pluggable	
Network configuration	TT, TNS, TNC, IT	
Certifications	CE	
Designation according to EN 61643-11	Type 1+2	
Designation according to IEC 61643-11	Class I+II	
Insulating material & flammability class	PA66 CT1; V-0	
Enclosure	IP 20	
Temperature range	-40 °C ... +80 °C	

## Technical features

Supply voltage		230 / 400 [V]	
Nominal voltage AC 50-60 Hz (L-N)	Un (L-N)	230	[V]
Maximum continuous operating voltage (L-N)	Uc (L-N)	275	[V]
Lightning impulse current (10/350) (L-N)	limp (L-N)	25	[kA]
Maximum discharge current (8/20) (L-N)	Imax (L-N)	100	[kA]
Nominal discharge current (8/20) (L-N)	In (L-N)	25	[kA]
Nominal discharge current (8/20)	In	25	[kA]
Voltage protection level (L-N) at In	Up (L-N)	1,5	[kV]
Short circuit withstand	Isc cr	25	[kA]
Response time (L-N)	tA (L-N)	25	[ns]
Remote indication		Yes	
Visual end of life indication		Yes	
Dynamic thermal disconnection (L-N)		Yes	

Certifications	Value	Units
Certifications	CE	

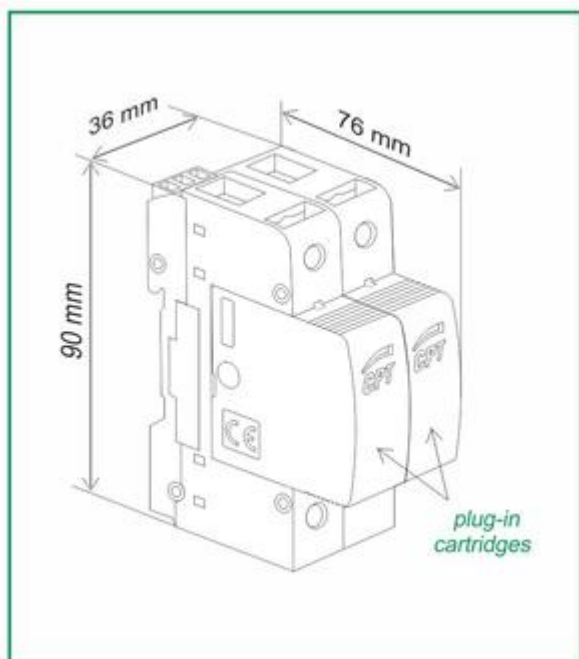
Accessories



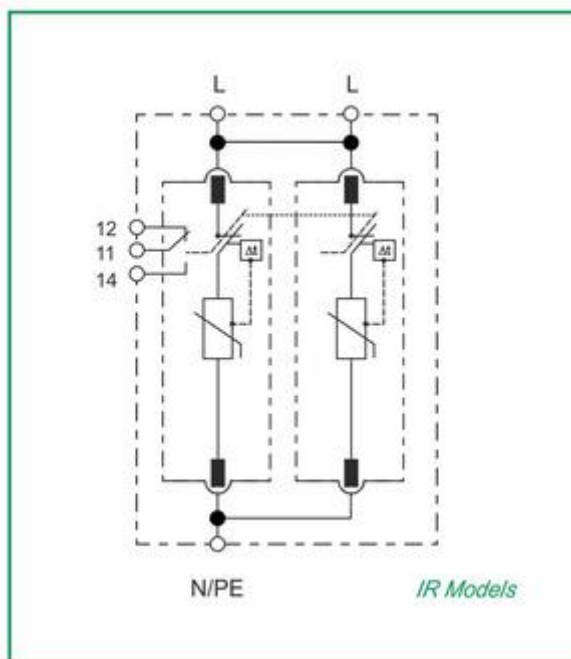
Código	77738611
Referencia	PSC-25/230
Description	<b>Replaceable module, Type 1+2, Ph,25kA(10/350), 230V</b>

Wiring diagrams

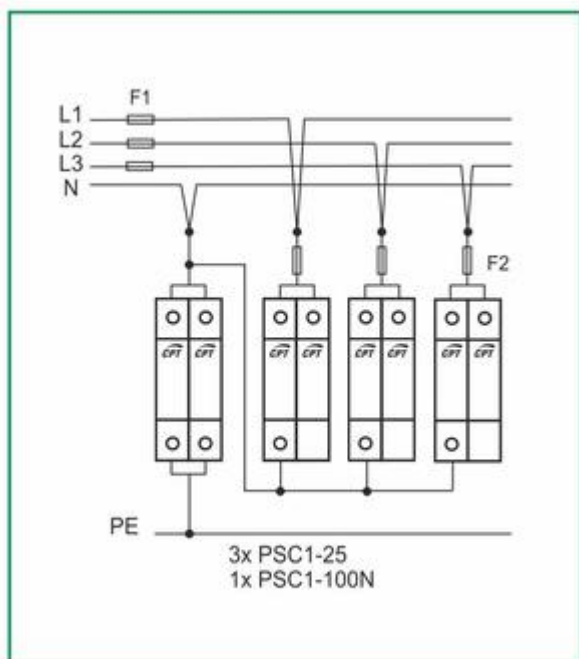
Dimensions



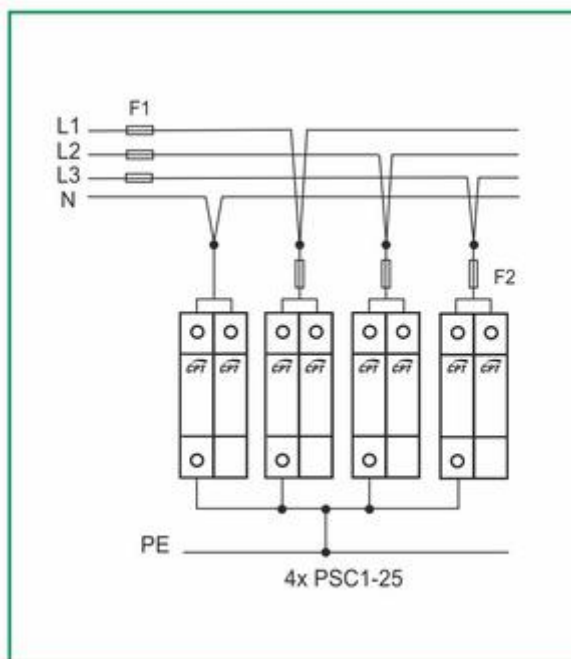
Internal configuration



Wiring diagram



Wiring diagram



Other images

PSM-POLARIZADOR



PSM-INDICADOR-REMOTA



PSM-CONEXION-BICONNECT



PSM-SUSTITUCION-CARTUCHO



## Downloads

Install sheet

[CPT-FAP-PROTECCION-CONTRA-SOBRETENSIONES-PSC1-25.pdf](#)

## Address



### Barcelona

**Cirprotec, S.L.U.**

C/ Lepanto, 49

08223 - Terrassa (Barcelona)

Tel. +34 937 331 684

Fax. +34 93 733 27 64

[www.cirprotec.com](http://www.cirprotec.com)

Copyright © Cirprotec, S.L.

[Legal Notice](#)