

# PSM1-20/230 IR

77707703

Surge Protection Device, Type 2+3, 1 pole, 1 phase, 20kA(8/20),230V with Remote Indication



[Link to the product page](#)

Technical Data	Value	Units
----------------	-------	-------

## Commercial data

Code	77707703	
Part Number	PSM1-20/230 IR	
Status	Available	
EAN	8435297828228	
Tariff code (HS)	8536.30.90	

## Dimensions

Product height	90	[mm]
Product width	18	[mm]
Product length	70	[mm]
Product weight	110	[gr]

## General data

Internal configuration	1P	
No. poles	1	
No. DIN rail modules	1	
Installation	(L-N)	
Format	Pluggable	
Network configuration	TT, TNS, TNC, IT	
Certifications	CE; RCM	
Designation according to EN 61643-11	Type 2+3	
Designation according to IEC 61643-11	Class II+III	
Insulating material & flammability class	PA66 CT1; V-0	
Enclosure	IP 20	
Temperature range	-40 °C ... +80 °C	

## Technical features

Supply voltage		230 / 400 [V]	
Nominal voltage AC 50-60 Hz (L-N)	Un (L-N)	230	[V]
Maximum continuous operating voltage (L-N)	Uc (L-N)	320	[V]
Maximum discharge current (8/20) (L-N)	I <sub>max</sub> (L-N)	20	[kA]
Nominal discharge current (8/20) (L-N)	I <sub>n</sub> (L-N)	10	[kA]
Nominal discharge current (8/20)	I <sub>n</sub>	10	[kA]
Voltage protection level (L-N) at I <sub>n</sub>	U <sub>p</sub> (L-N)	1,4	[kV]
Maximum back-up fuse		80	A [gG]
Combined discharge voltage (1,2/50)	U <sub>oc</sub>	10	[kV]
Short circuit withstand	I <sub>sc</sub>	25	[kA]
Response time (L-N)	t <sub>A</sub> (L-N)	25	[ns]
Remote indication		Yes	
Visual end of life indication		Yes	
Dynamic thermal disconnection (L-N)		Yes	

Certifications	Value	Units
Certifications	CE; RCM	

Accessories



Código

77707651

Referencia

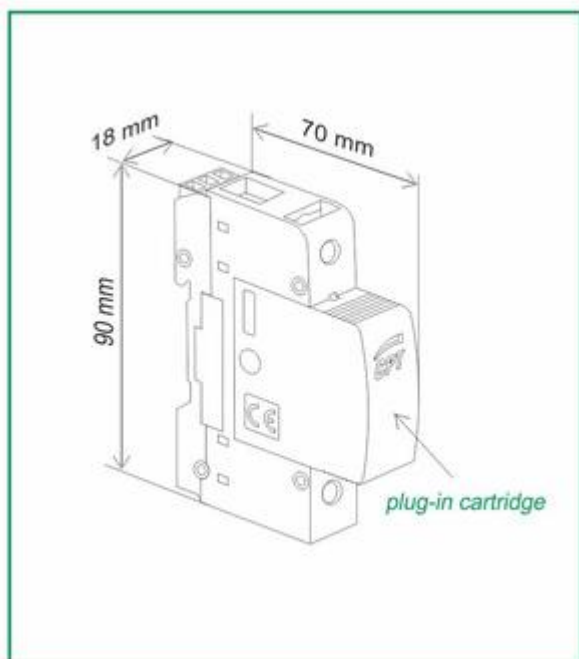
PSM-20/230

Description

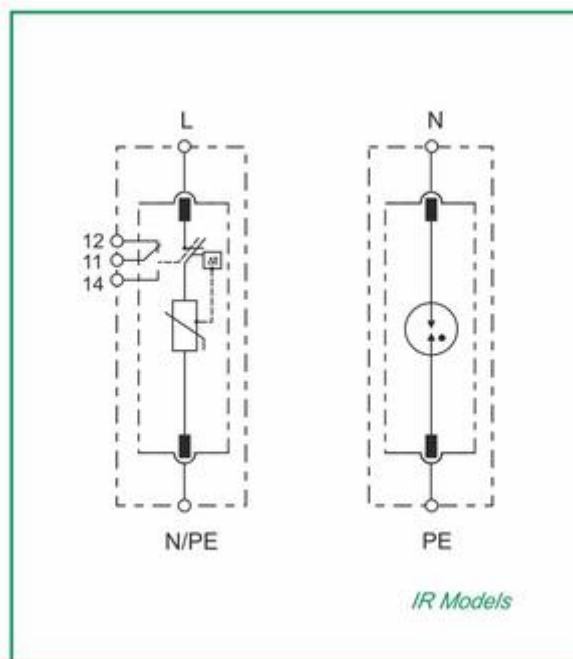
**Replaceable module, Type 2+3,  
Ph,20kA(8/20), 230V**

Wiring diagrams

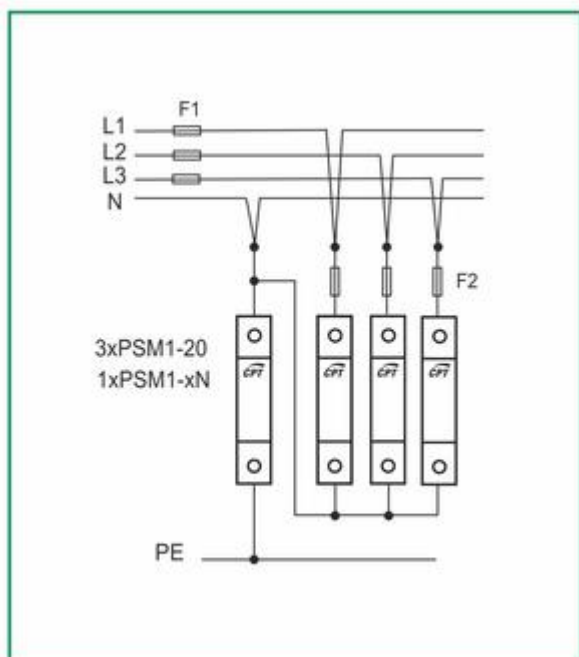
Dimensions



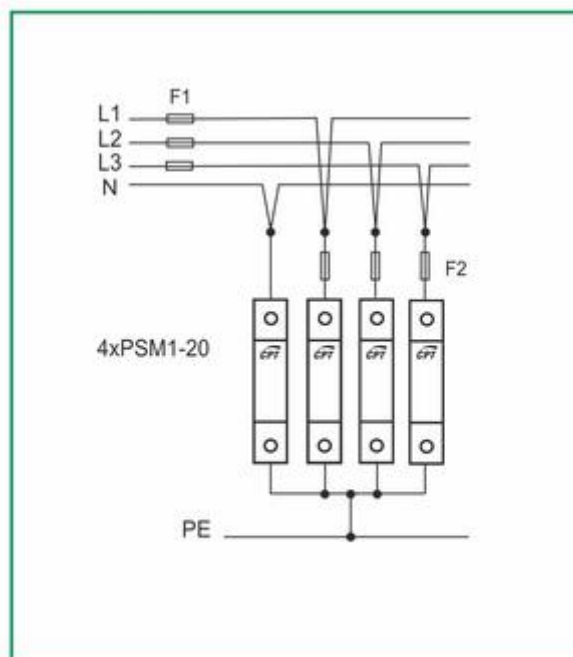
Internal configuration



Wiring diagram



Wiring diagram



Other images

PSM-POLARIZADOR



PSM-INDICADOR-REMOTA



PSM-CONEXION-BICONNECT



PSM-INDICADOR-ESTADO



PSM-SUSTITUCION-CARTUCHO



## Downloads

Install sheet	<a href="#">CPT-FAP-PROTECCION-CONTRA-SOBRETENSIONES-PSM1-20.pdf</a>
Wiring diagram (CAD)	<a href="#">CPT-CAD-PROTECCION-CONTRA-SOBRETENSIONES-PSM1-20-230-IR-77707703.dwg</a>
Wiring diagram (PDF)	<a href="#">CPT-CIP-PROTECCION-CONTRA-SOBRETENSIONES-PSM1-20-230-IR-77707703.pdf</a>

## Address



### Barcelona

#### **Cirprotec, S.L.U.**

C/ Lepanto, 49

08223 - Terrassa (Barcelona)

Tel. +34 937 331 684

Fax. +34 93 733 27 64

[www.cirprotec.com](http://www.cirprotec.com)

Copyright © Cirprotec, S.L.

[Legal Notice](#)