

# PSM1-40/230 IR

77707709



**Surge Protection Device, Type 2, 1 pole, 1 phase, 40kA(8/20),230V with Remote Indication**

Scan this QR code and see the full range



[Link to the product page](#)

Technical Data	Value	Units
<b>Commercial data</b>		
Code	77707709	
Part Number	PSM1-40/230 IR	
Status	Available	
EAN	8435297827085	
Tariff code (HS)	8536.30.90	
<b>Dimensions</b>		
Product height	90	[mm]
Product width	18	[mm]
Product length	70	[mm]
Product weight	120	[gr]
<b>General data</b>		
Internal configuration	1P	
No. poles	1	
No. DIN rail modules	1	
Installation	(L-N)	
Format	Pluggable	
Network configuration	TT, TNS, TNC, IT	
Certifications	CE; RCM; UL 1449	
Designation according to EN 61643-11	Type 2	
Designation according to IEC 61643-11	Class II	
Insulating material & flammability class	PA66 CT1; V-0	
Enclosure	IP 20	
Temperature range	-40 °C ... +85 °C	
<b>Technical features</b>		

Supply voltage		<b>230 / 400 [V]</b>	
Nominal voltage AC 50-60 Hz (L-N)	Un (L-N)	<b>230</b>	[V]
Maximum continuous operating voltage (L-N)	Uc (L-N)	<b>275</b>	[V]
Maximum discharge current (8/20) (L-N)	I <sub>max</sub> (L-N)	<b>40</b>	[kA]
Nominal discharge current (8/20) (L-N)	I <sub>n</sub> (L-N)	<b>20</b>	[kA]
Nominal discharge current (8/20)	I <sub>n</sub>	<b>20</b>	[kA]
Voltage protection level (L-N) at I <sub>n</sub>	U <sub>p</sub> (L-N)	<b>1,3</b>	[kV]
Maximum back-up fuse		<b>125</b>	A [gG]
Short circuit withstand	I <sub>sc</sub>	<b>25</b>	[kA]
Response time (L-N)	t <sub>A</sub> (L-N)	<b>25</b>	[ns]
Remote indication		<b>Yes</b>	
Visual end of life indication		<b>Yes</b>	
Dynamic thermal disconnection (L-N)		<b>Yes</b>	

### UL Technical features

File UL		<b>E360120</b>	
SPD UL Type		<b>2CA</b>	
Power distribution system		<b>1</b>	
Maximum continuous operating voltage (L-L)	MCOV (L-L)	<b>275</b>	[V]
Nominal discharge current (UL)	I <sub>n</sub>	<b>20</b>	[kA]
Voltage protection level (L-L) at I <sub>n</sub>	V <sub>PR</sub> (L-L)	<b>900</b>	[V]
Short circuit current rating	SCCR	<b>85</b>	[kA]

Certifications	Value	Units
Certifications	CE; RCM; UL 1449	

## Accessories



Código

77707654

Referencia

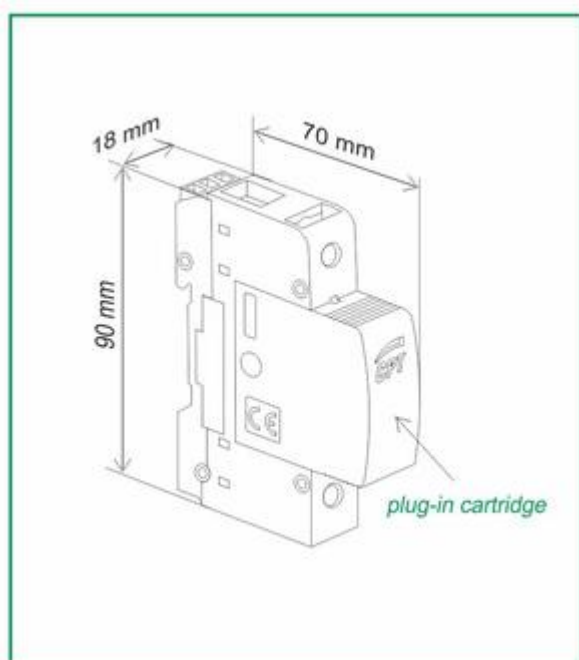
PSM-40/230

Description

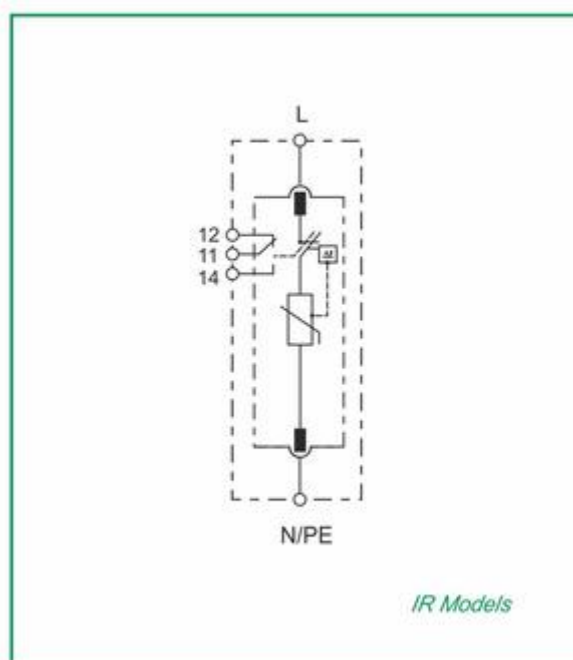
**Replaceable module, Type 2,  
Ph,40A(8/20), 230V**

## Wiring diagrams

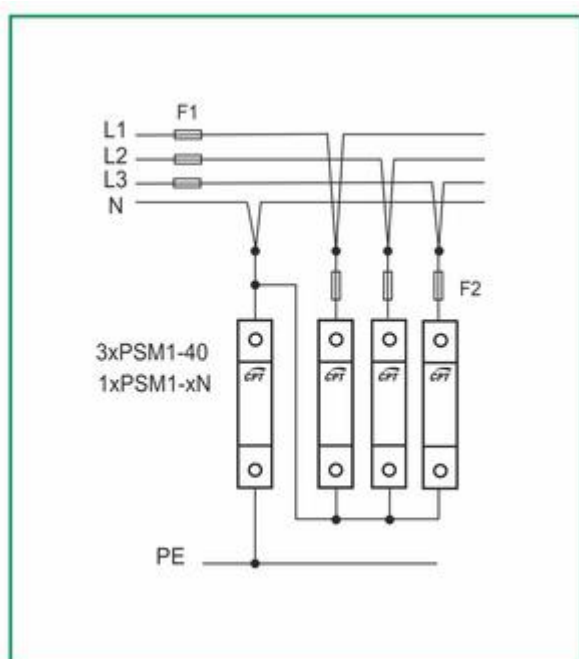
Dimensions



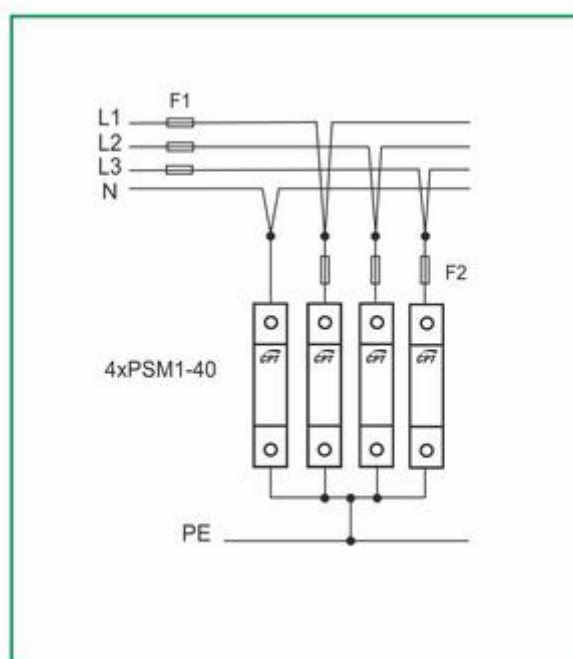
Internal configuration



Wiring diagram



Wiring diagram



Other images

PSM-POLARIZADOR



PSM-INDICADOR-REMOTA



PSM-CONEXION-BICONNECT



PSM-INDICADOR-ESTADO



PSM-SUSTITUCION-CARTUCHO



## Downloads

Install sheet	<a href="#">CPT-FAP-PROTECCION-CONTRA-SOBRETENSIONES-PSM1-40.pdf</a>
Wiring diagram (CAD)	<a href="#">CPT-CAD-PROTECCION-CONTRA-SOBRETENSIONES-PSM1-40-230-IR-77707709.dwg</a>
Wiring diagram (PDF)	<a href="#">CPT-CIP-PROTECCION-CONTRA-SOBRETENSIONES-PSM1-40-230-IR-77707709.pdf</a>

## Address



### Barcelona

**Cirprotec, S.L.U.**

C/ Lepanto, 49

08223 - Terrassa (Barcelona)

Tel. +34 937 331 684

Fax. +34 93 733 27 64

[www.cirprotec.com](http://www.cirprotec.com)

Copyright © Cirprotec, S.L.

[Legal Notice](#)